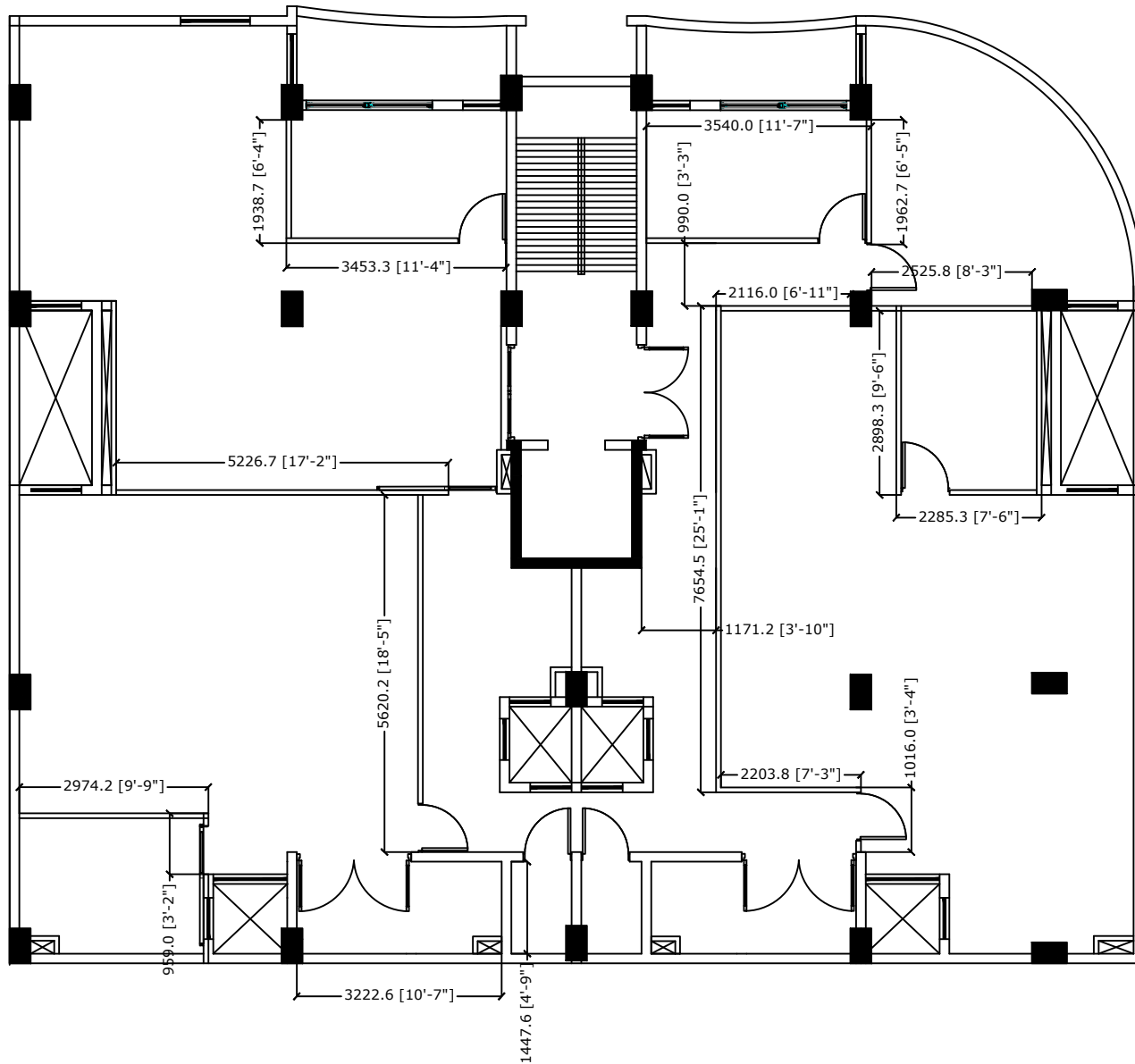


Anti-Corruption Commission (Sakeena Manzil)

Schedule 2-New Partitions

6TH Floor (Investigation)

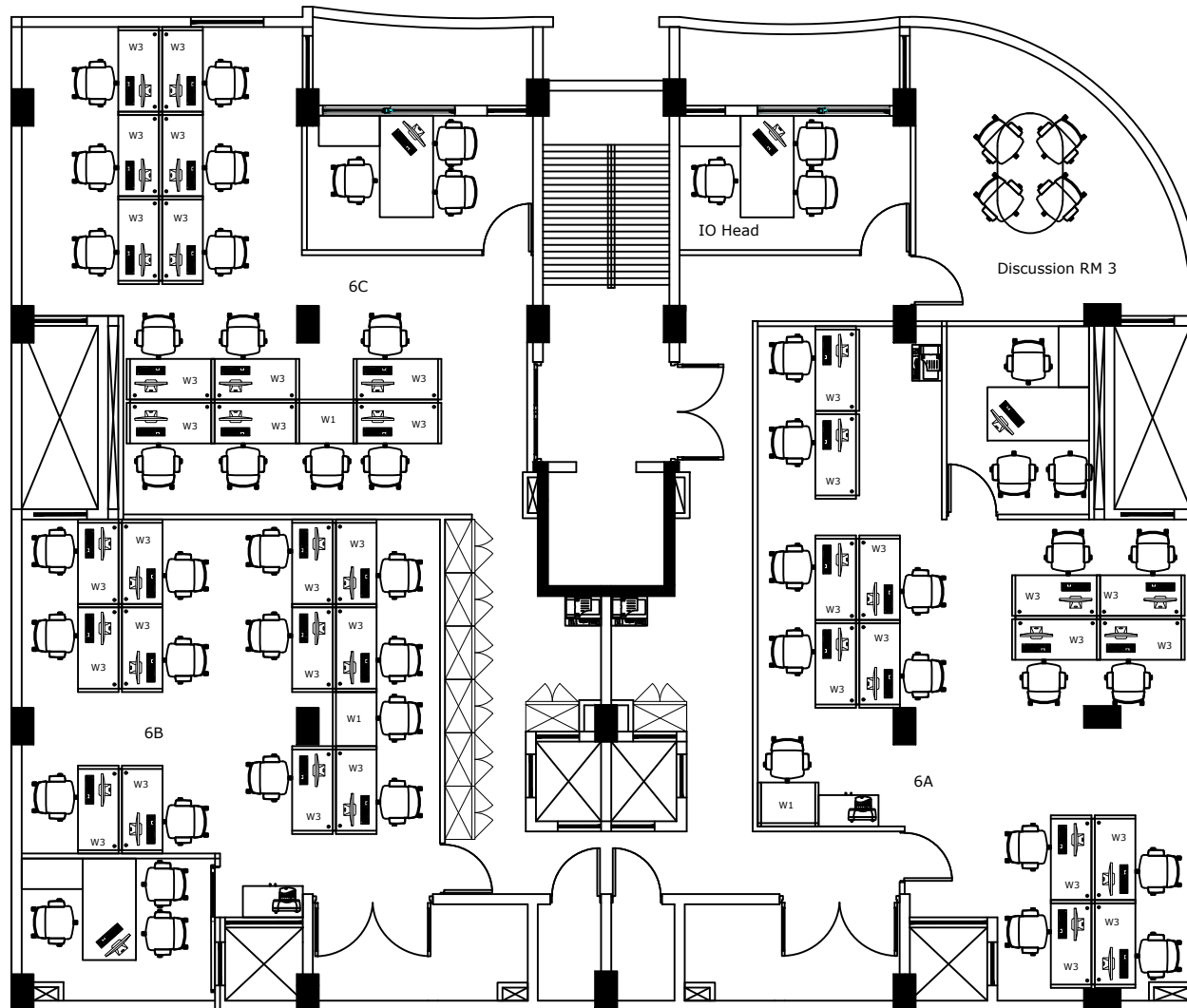


— New Glass Partition to be made

Anti-Corruption Commission (Sakeena Manzil)

Schedule 3-Workstation

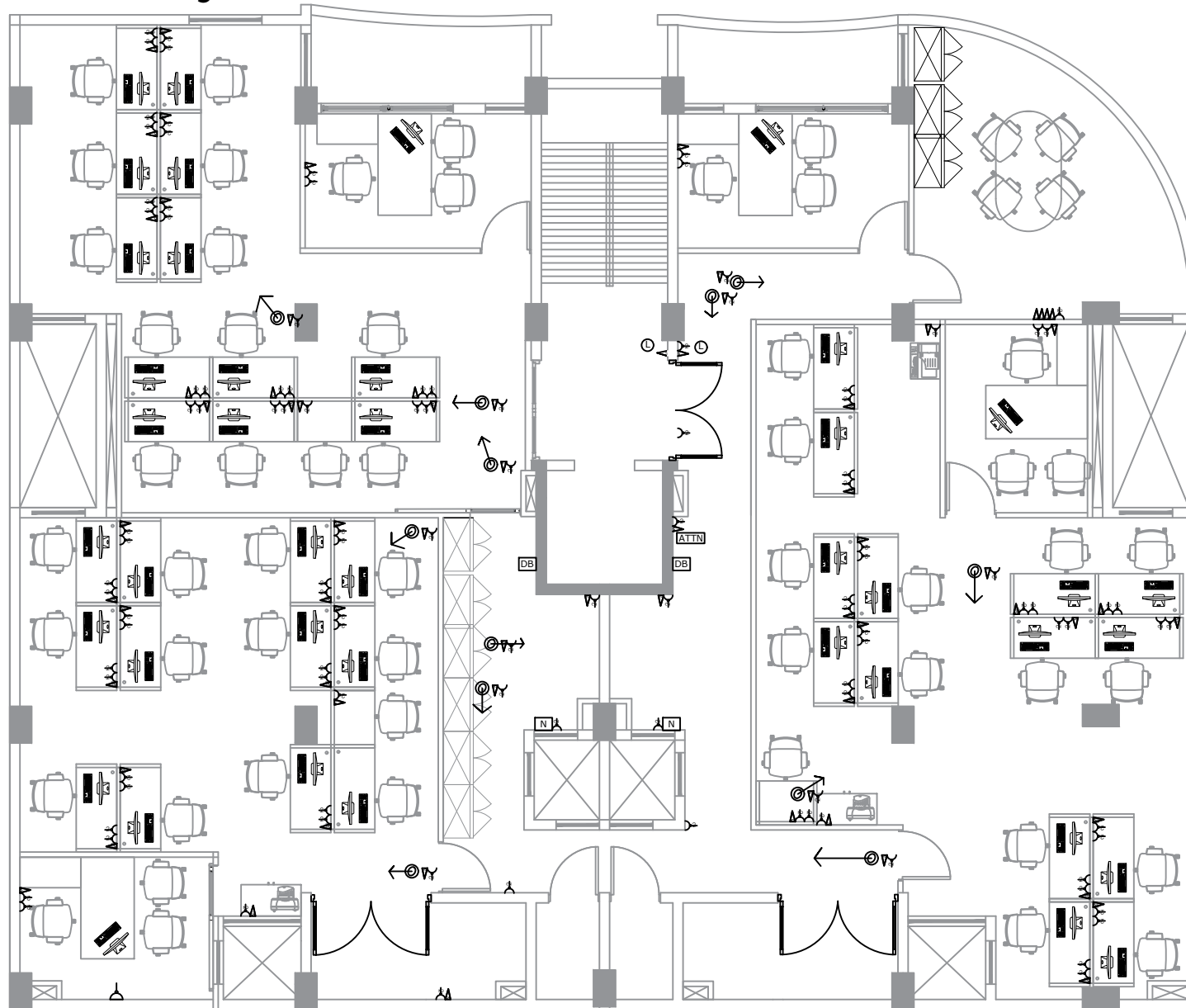
6TH Floor (Investigation)



Anti-Corruption Commission (Sakeena Manzil)

Schedule 4-Electric & Networking

6TH Floor (Investigation)

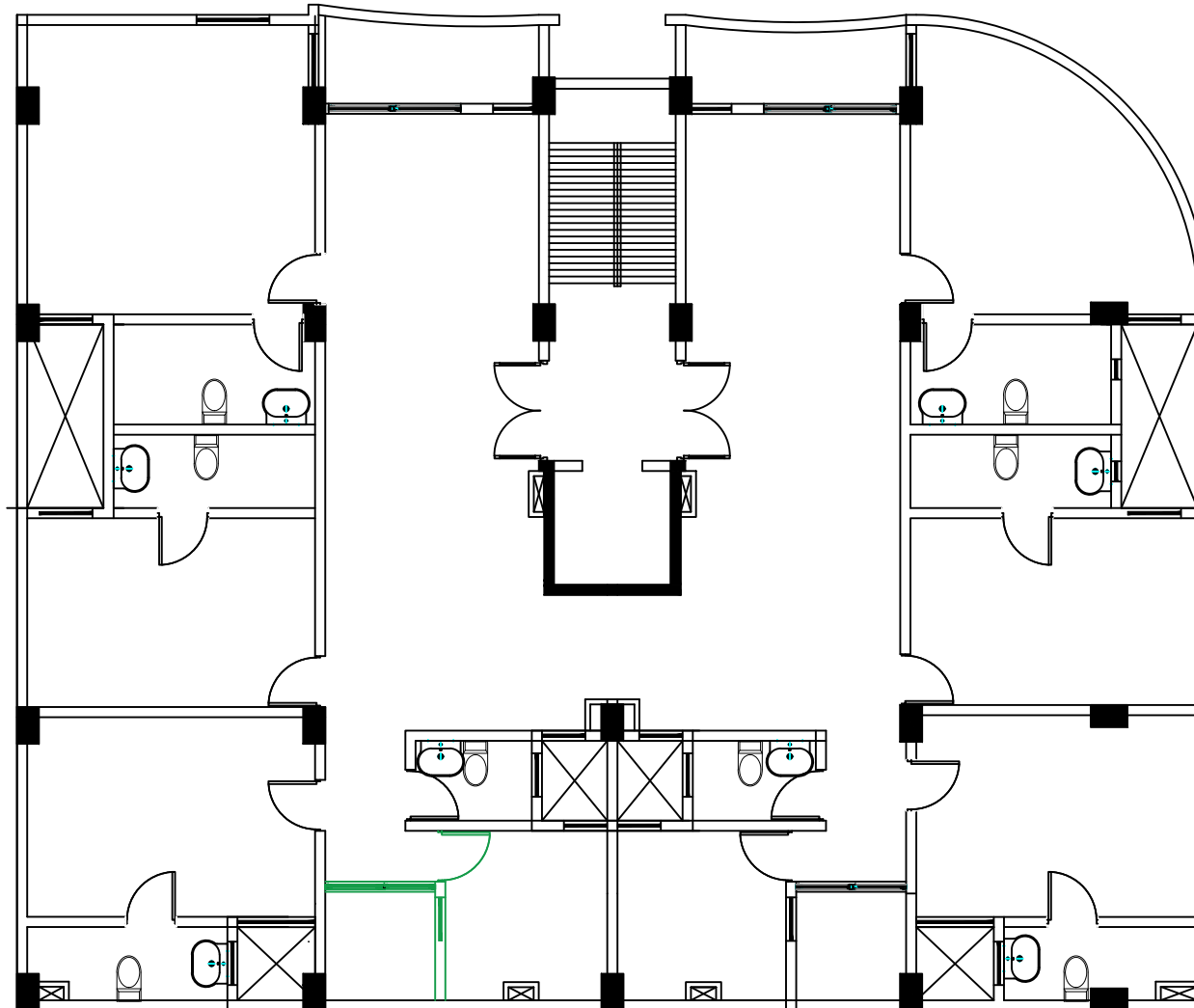


- | | | | | | |
|--|-------------------------|--|----------------|--|-----------------------|
| | DOUBLE SWITCHED SOCKET | | Bell | | Lock |
| | SINGLE AC SWITCH SOCKET | | Camera | | ATTN Attendance |
| | CAT 6 DATA SOCKET | | Network Switch | | DB distribution board |

Anti-Corruption Commission (Sakeena Manzil)

Schedule 1-Partitions/Walls to be removed

8TH Floor (Members Rooms, Members Meeting Room and Bureau)

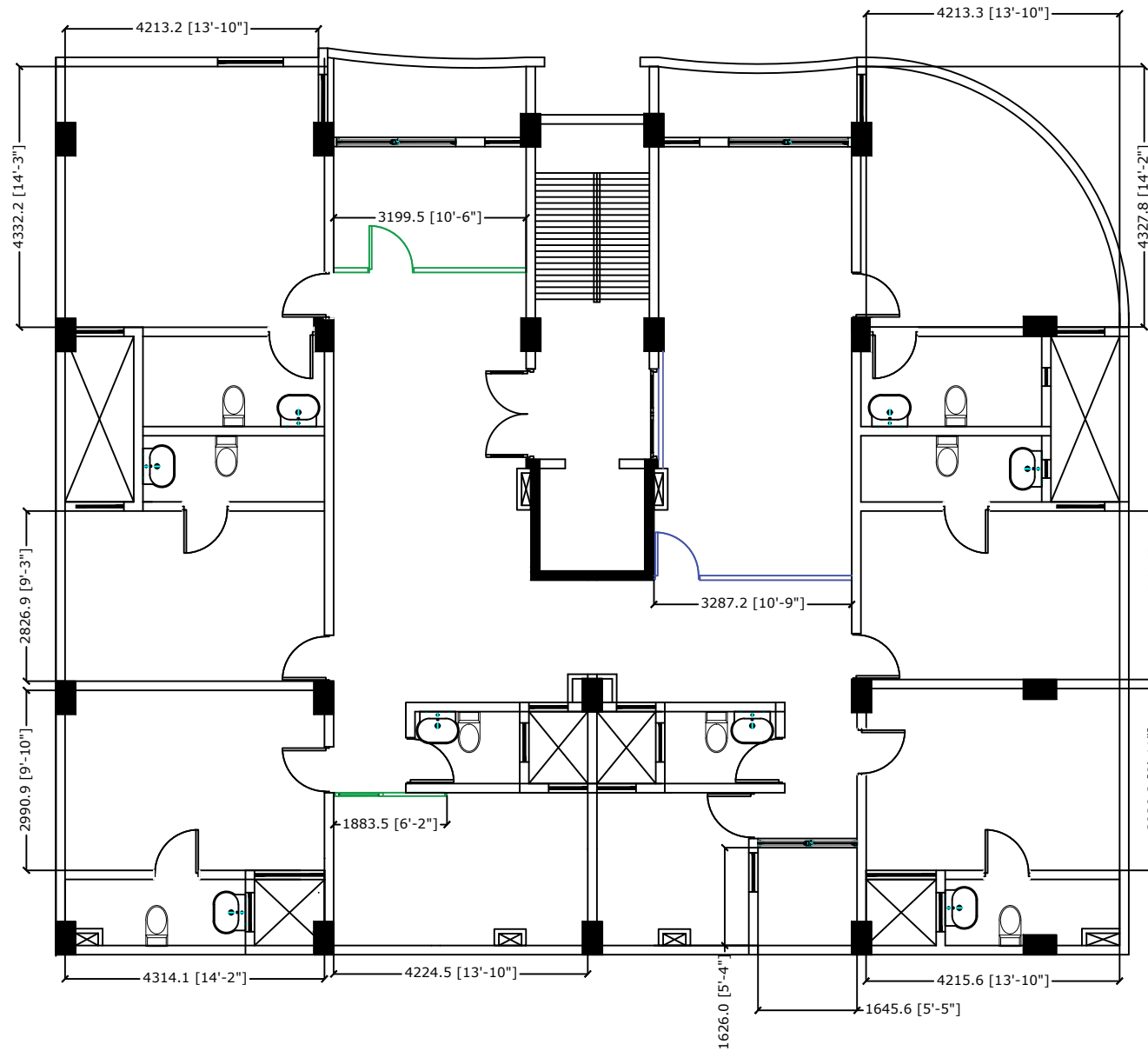


— Existing Partition/wall To be Removed or moved

Anti-Corruption Commission (Sakeena Manzil)

Schedule 2-New Partitions

8TH Floor (Members Rooms, Members Meeting Room and Bureau)

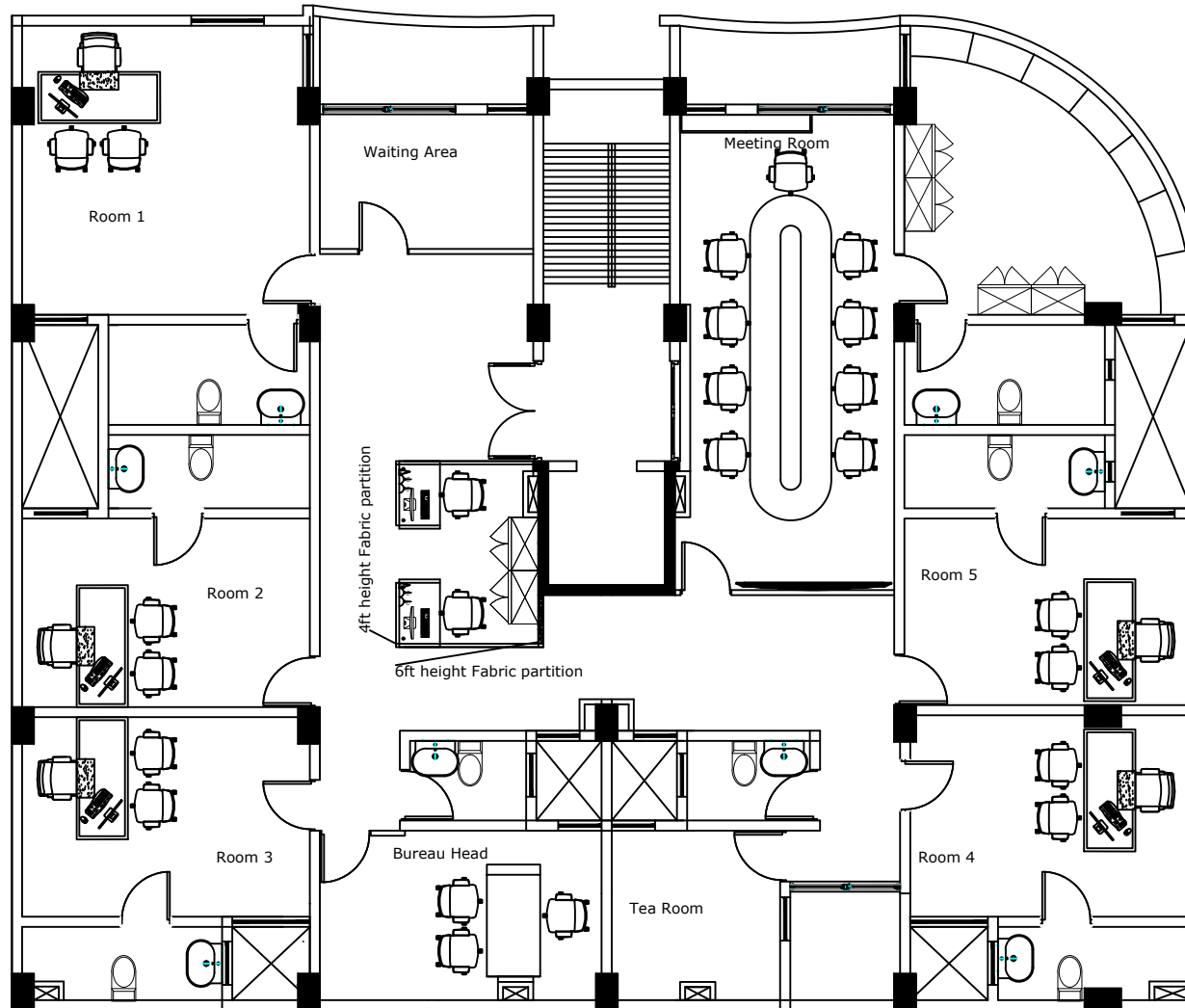


- New Glass Partition to be made
- New Gypsum Partition to be made

Anti-Corruption Commission (Sakeena Manzil)

Schedule 3-Workstation

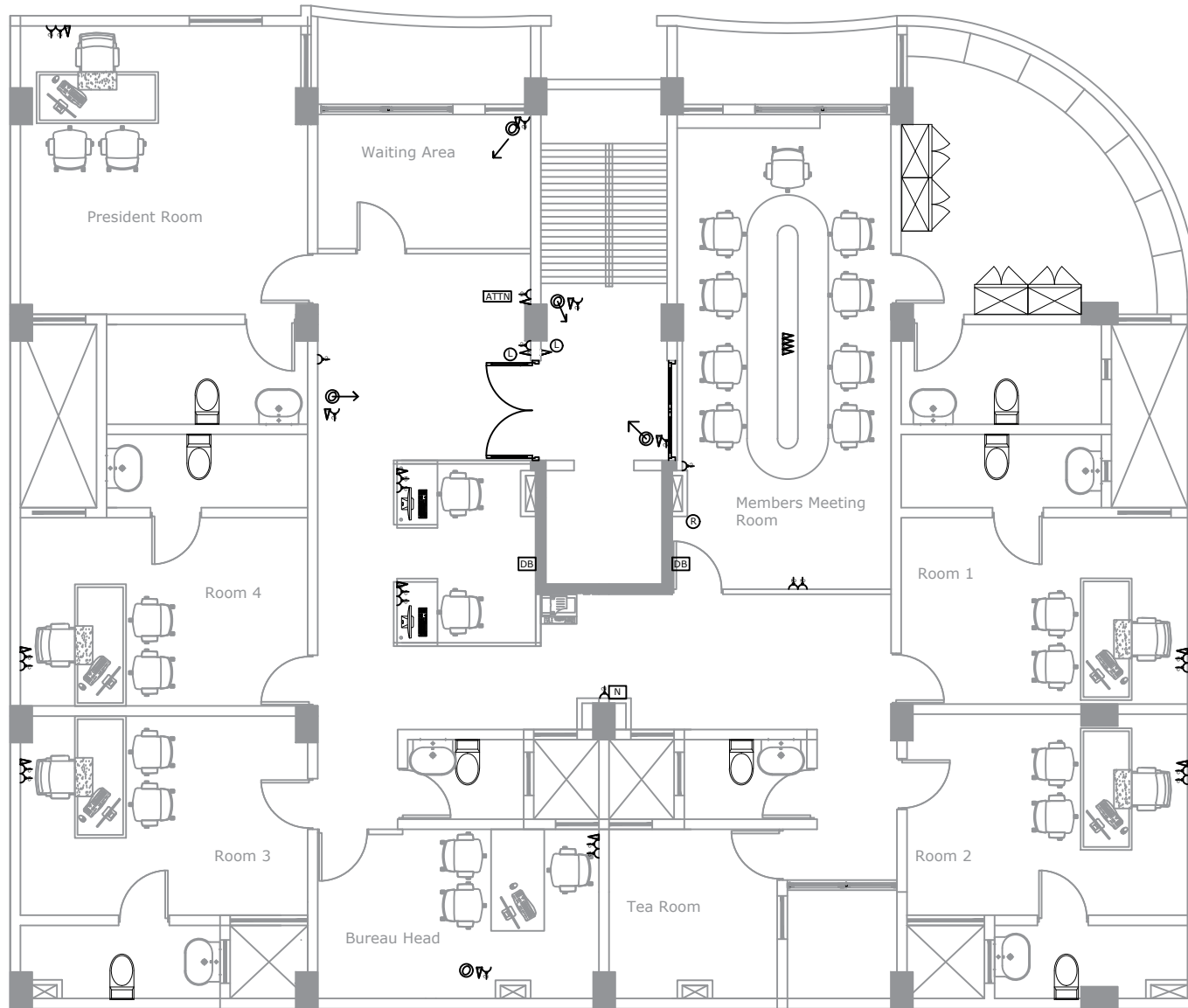
8TH Floor (Members Rooms, Members Meeting Room and Bureau)

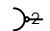
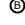



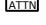




Anti-Corruption Commission (Sakeena Manzil)

Schedule 4-Electric & Networking

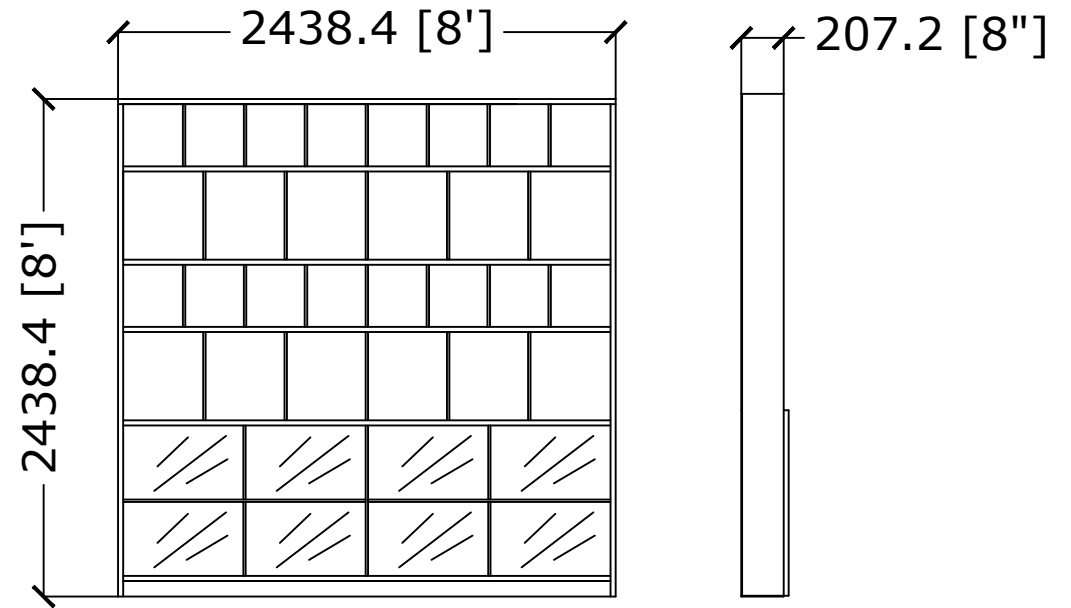
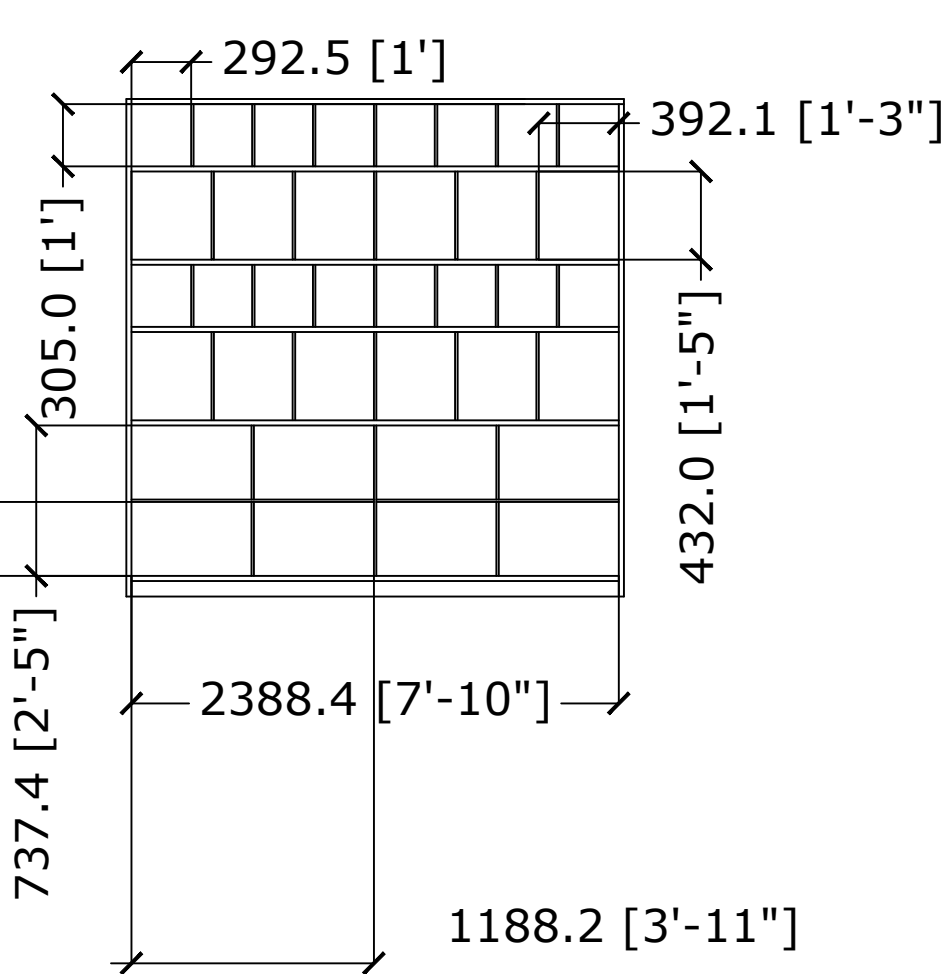
8TH Floor (Members Rooms, Members Meeting Room and Bureau)



- | | | | | | |
|---|------------------------|---|-----------------------|--|-----------------|
|  | DOUBLE SWITCHED SOCKET |  | Bell |  | Lock |
|  | CAT 6 DATA SOCKET |  | Camera |  | ATTN Attendance |
|  | Camera |  | DB distribution board | | |

Anti-Corruption Commission (Sakeena Manzil)

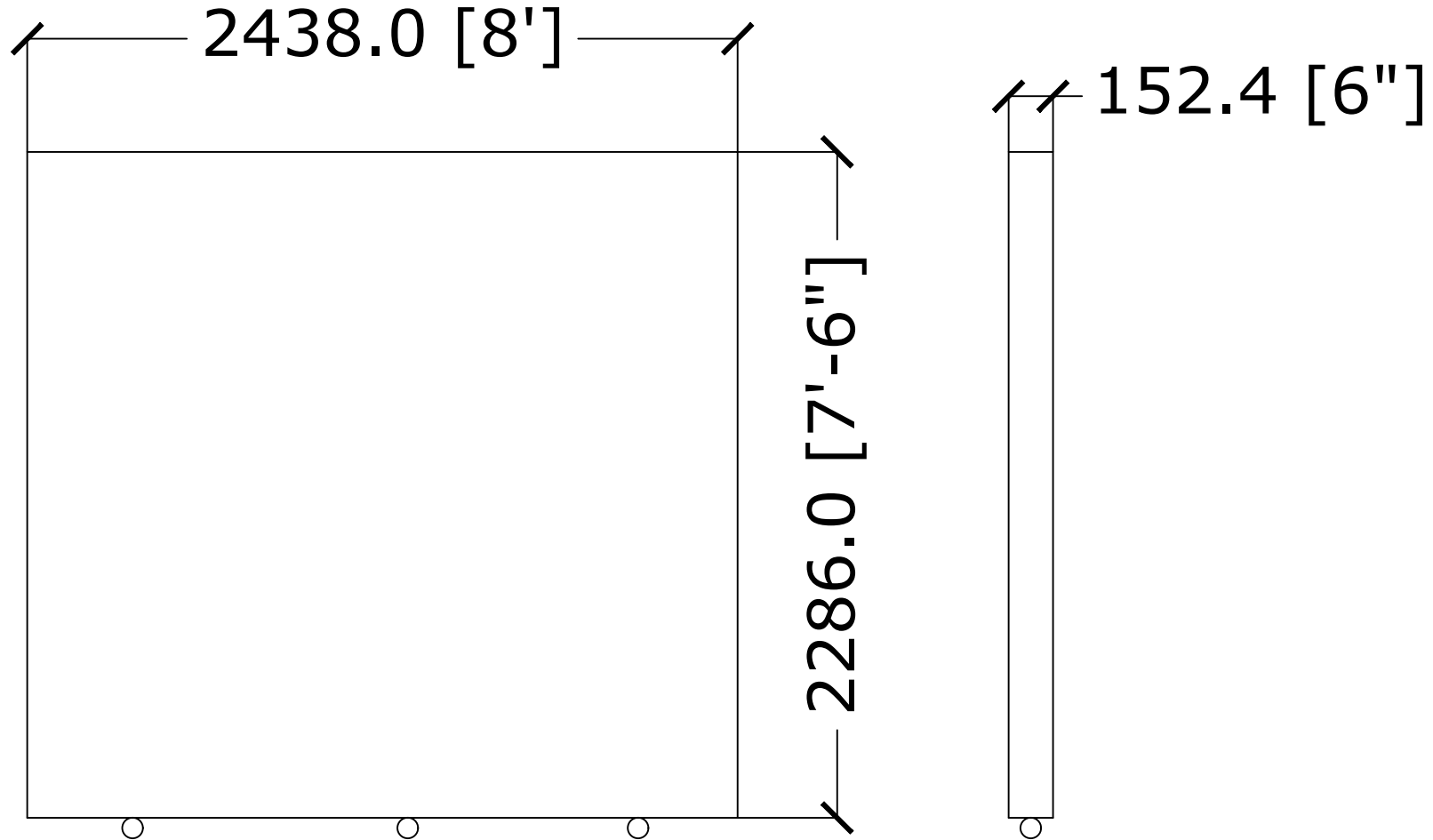
Trophy Display



Sliding glass door

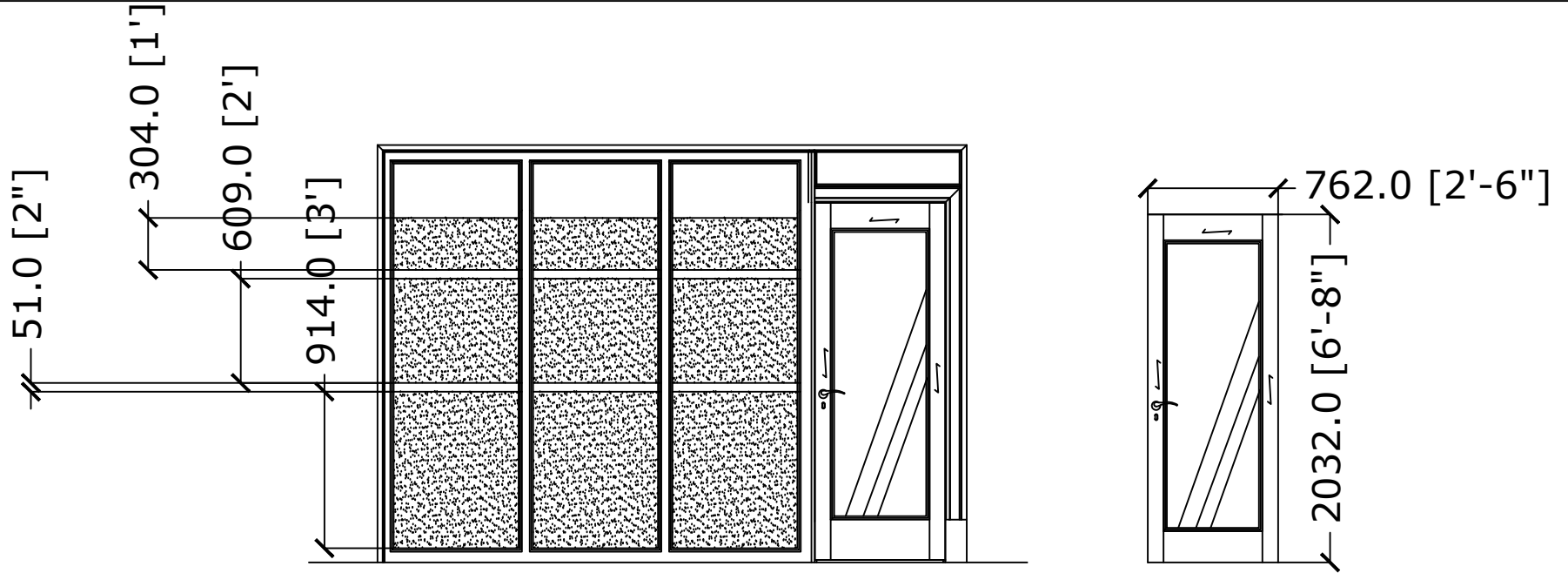
Anti-Corruption Commission (Sakeena Manzil)

8x7.5 Wall x 3

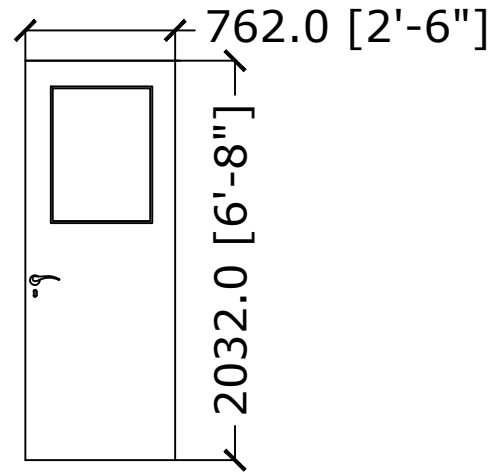


Anti-Corruption Commission (Sakeena Manzil)

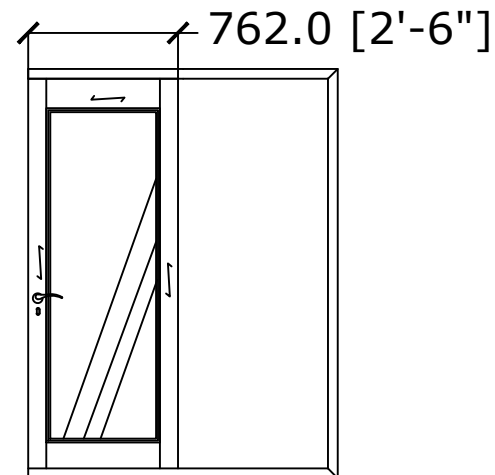
Door



D1 Hinge Door



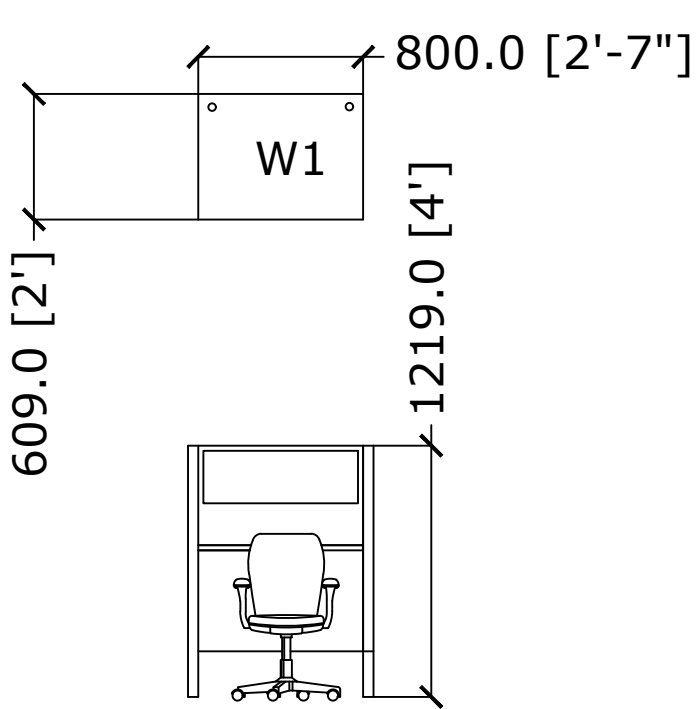
D3 Wood Hinge Door



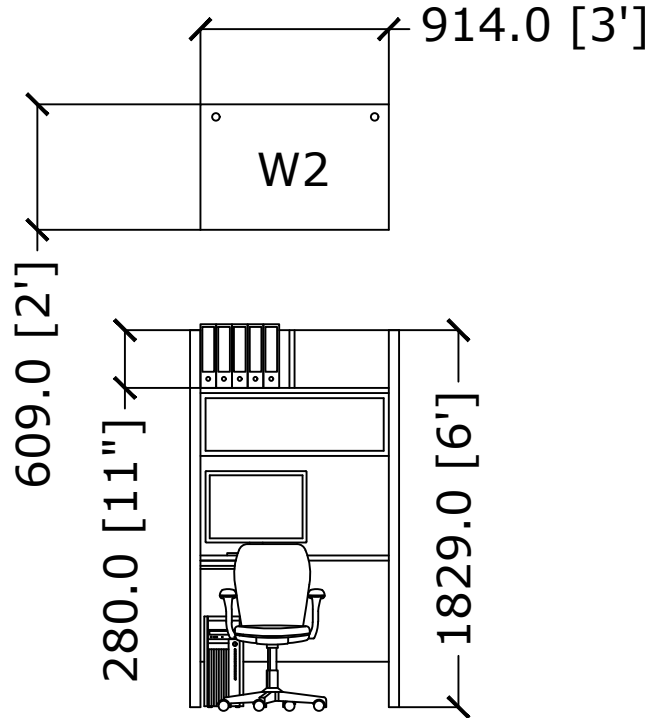
D2 Slide Door

Anti-Corruption Commission (Sakeena Manzil)

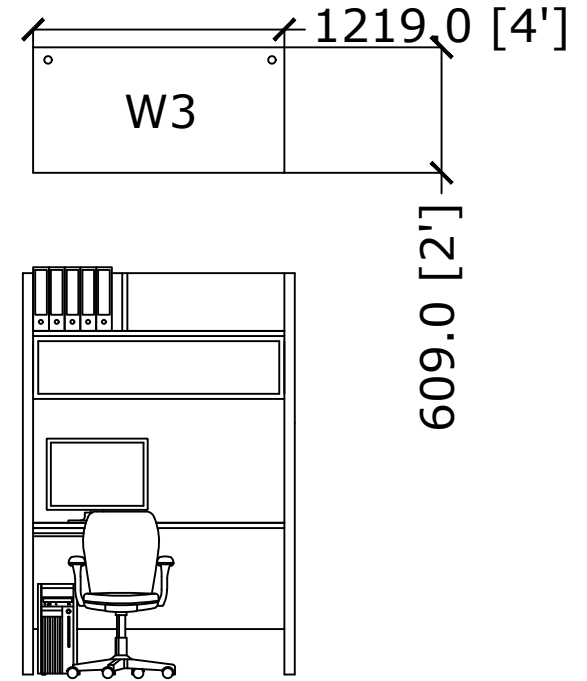
Workstation



Admin and scanner
(6th Floor)



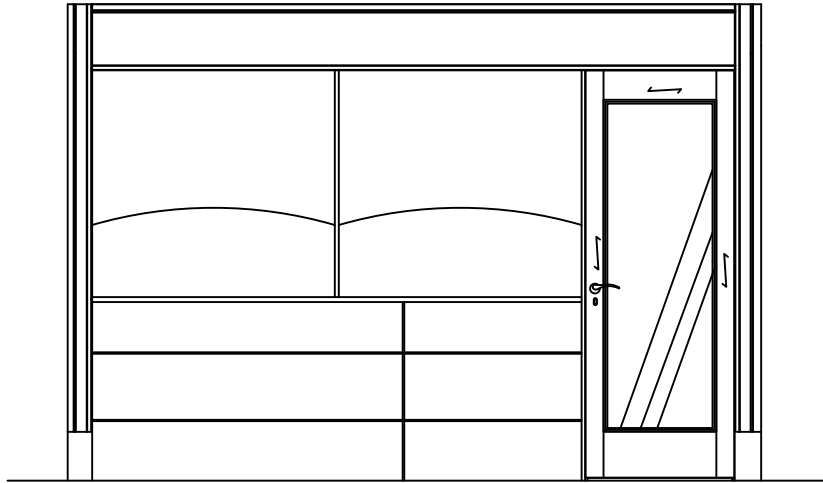
W2 Workstation
Admin (Procure),
HR, PIRU,
Registration, P&R,
E&A and Bureau



W3 Workstation
Legal, Budget, 4A,
Investigators
and IT

Anti-Corruption Commission (Sakeena Manzil)

Reception



8 ft Height

